

# Robbins Precast

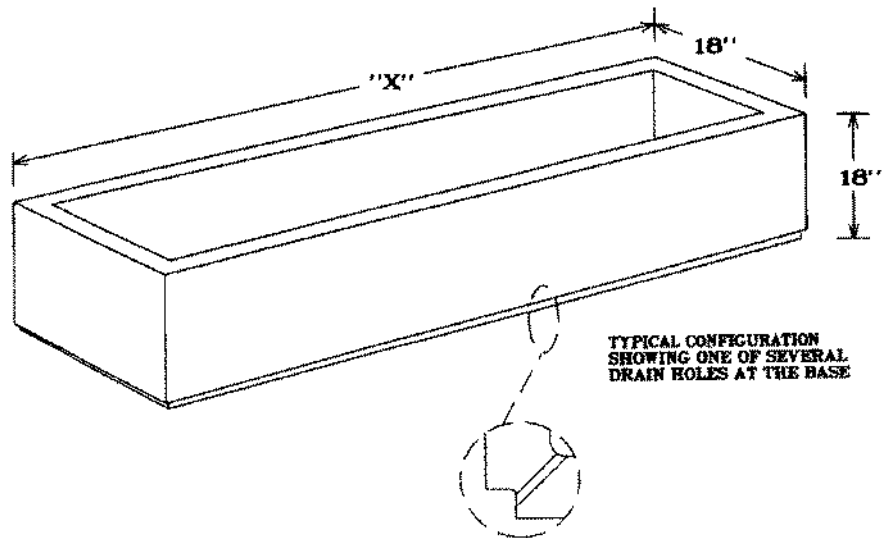
"Manufacturer of precast concrete products since 1974"

## CONCRETE PLANTER



**NOTE: AVAILABLE IN VARIOUS COLORS AND SURFACE FINISHES. STEEL REINFORCED.**

| CATALOG NO. | DIMENSION "X" | WEIGHT   |
|-------------|---------------|----------|
| EM 1836     | 36"           | 618 LBS  |
| EM 1848     | 48"           | 789 LBS  |
| EM 1860     | 60"           | 960 LBS  |
| EM 1872     | 72"           | 1131 LBS |
| EM 1884     | 84"           | 1302 LBS |
| EM 1896     | 96"           | 1473 LBS |
| EM 18108    | 108"          | 1644 LBS |
| EM 18120    | 120"          | 1815 LBS |



NuCast Industries, Inc.  
 23220 Park Canyon Dr  
 Corona, CA 92883  
 Tele 951-277-8888  
 Fax 951-277-8052  
 www.robbsinc.com  
 J32robbsins@earthlink.net

EM18 Series

Concrete Planter